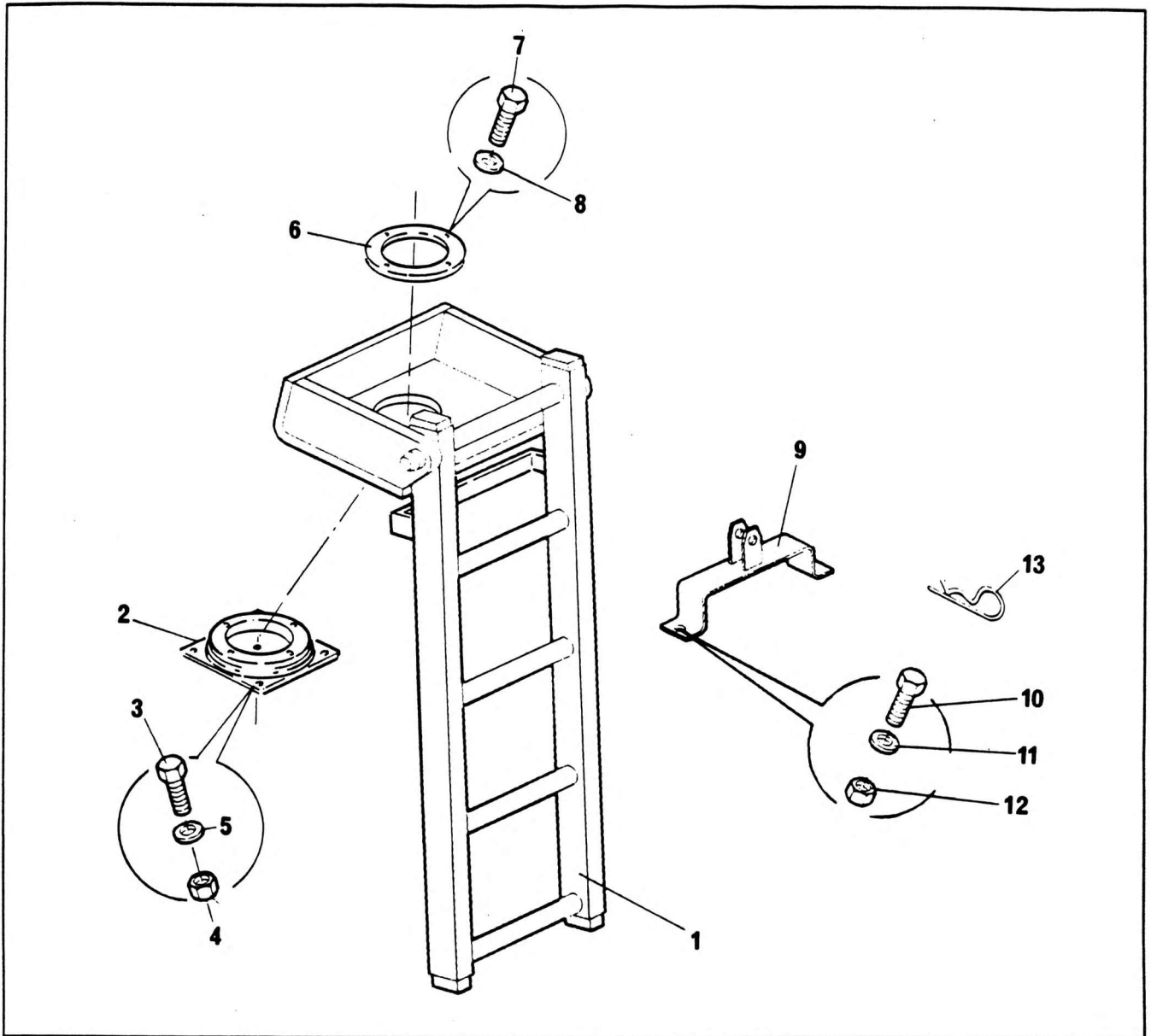


LADDER STOWAGE



NO.	PART NO.	QTY.	DESCRIPTION	NO.	PART NO.	QTY.	DESCRIPTION
1 +	6-869-990711	1	Ladder Assy	11	7-951-150014	2	Washer Flat M6
2	6-966-990528	1	Weldment - Pivot Boss - Stow Ladder	12	7-661-150803	2	Nut Nyloc M6
3	7-126-191253	4	Screw Hex Head M10 x 25mm Long	13	237900	1	Locking Clips
4	7-661-190803	4	Nut Nyloc M10	+ See further breakdown in this group			
5	7-951-190014	4	Washer Flat M10				
6	6-705-990008	1	Plate - Ladder Retaining				
7	7-126-171253	4	Hex Cap Screw M8 x 25mm Long				
8	7-951-170210	4	Spring Washer M8				
9	8274510	1	Bracket Stowable Ladder				
10	7-126-151253	2	Screw Hex Head M6 x 25 Long				

6-869-990712
Issue No. 00